



2020

**Color Classic Futurity Show
Virginia Horse Center
Lexington, VA**

PATTERNS

August 28-30, 2020

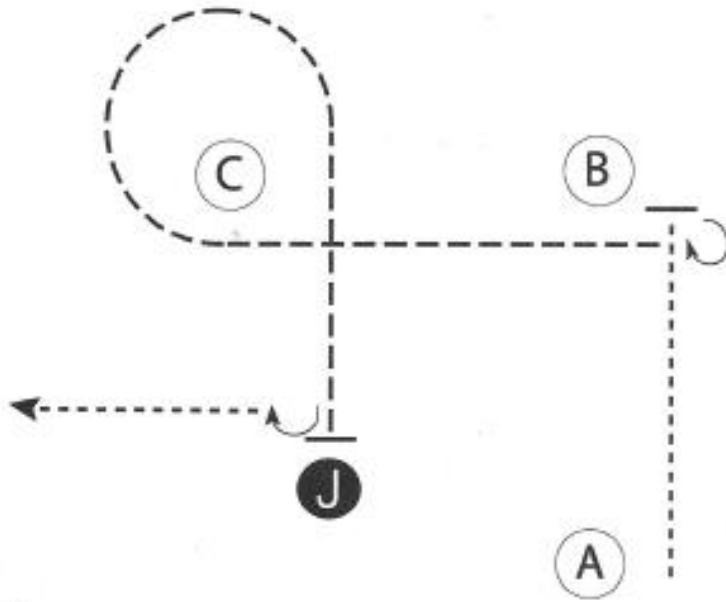
VPHC Color Classic Futurity (Aug 28-30)

Showmanship

(All Novice/Novice Youth/13&Under & Youth/AM SPB and All Breed Classes)

w w w . H o r s e S h o w P a t t e r n s . c o m

w w w . H o r s e S h o w P a t t e r n s . c o m



Be ready at A.

1. Walk from A to B.
2. Stop just before B and perform a 270 degree turn.
3. Trot to and around C as shown; trot to judge.
4. Stop and set up for inspection.
5. When dismissed, perform a 90 degree turn.
6. Walk straight away.

Follow the instructions of your ring steward.

Walk	-----
Trot	----- ~~~~~ ~~~~~
Back	←~~~~~ ~~~~~ ~~~~~
Marker	ⓑ
Judge	●

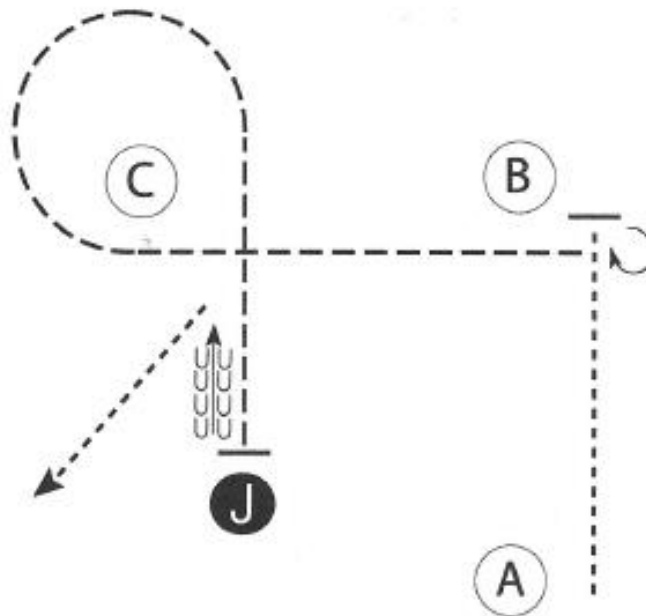
VPHC Color Classic Futurity (Aug 28-30)

Showmanship

(All Amateur / Youth 18&Under)

www.HorseShowPatterns.com

www.HorseShowPatterns.com



Be ready at A.

1. Walk from A to B.
2. Stop just before B and perform a 270 degree turn.
3. Trot to and around C as shown; trot to judge.
4. Stop and set up for inspection.
5. When dismissed, back approximately one horse length.
6. Turn slightly to the right and walk away.

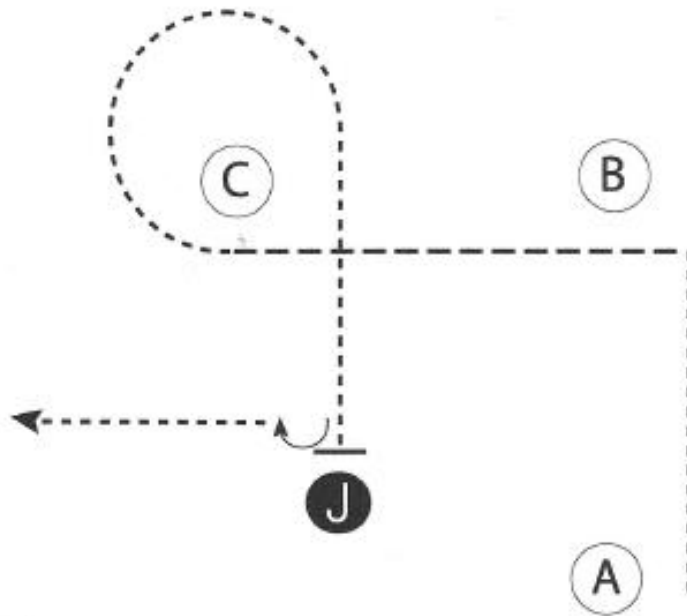
Follow the instruction of your ring steward.

Walk	-----
Trot	----- ~~~~~
Back	←~~~~~
Marker	Ⓚ
Judge	●

VPHC Color Classic Futurity (Aug 28-30)
Showmanship
(All Walk Trot)

w w w . H o r s e S h o w P a t t e r n s . c o m

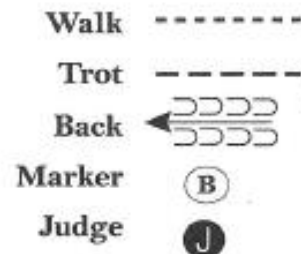
w w w . H o r s e S h o w P a t t e r n s . c o m



Be ready at A.

1. Walk from A to B.
2. Turn the corner just before B.
3. Trot to C.
4. Walk around C and to judge as shown.
5. Stop and set up for inspection.
6. When dismissed, perform a 90 degree turn.
7. Walk straight away.

Follow the instructions of your ring steward.



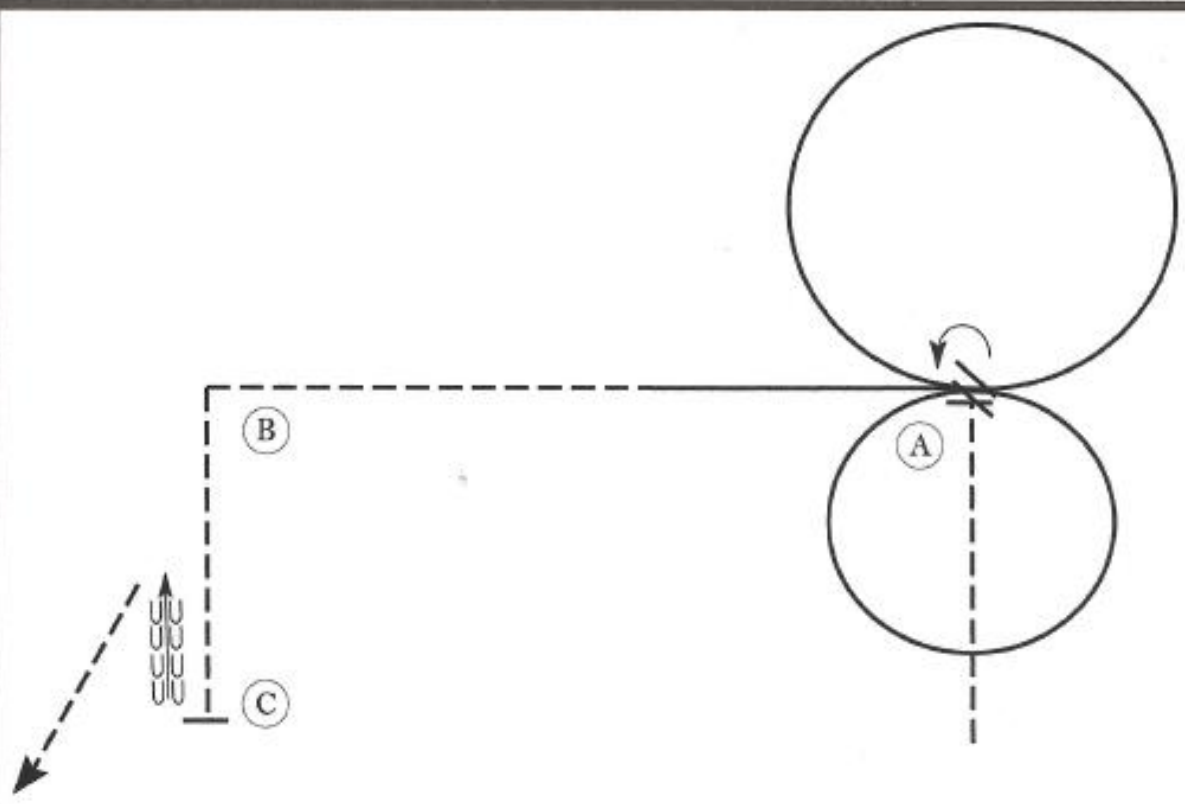
VPHC Color Classic Futurity (Aug 28-30)

Equitation

(All Novice / Novice Youth / 13&Under / Youth/AM SPB and All Breed Classes)

www.HorseShowPatterns.com

www.HorseShowPatterns.com



1. Trot on the left diagonal past A.
2. Stop and perform a 90 degree turn on the forehand to the left.
3. Canter a large circle to the right on the right lead.
4. Perform a simple lead change.
5. Canter a smaller circle to the left on the left lead and continue toward B.
6. Halfway to B, break to a sitting trot.
7. As you pass B, pick up the right diagonal and continue to C.
8. Stop at C and back one horse length and exit at a trot.

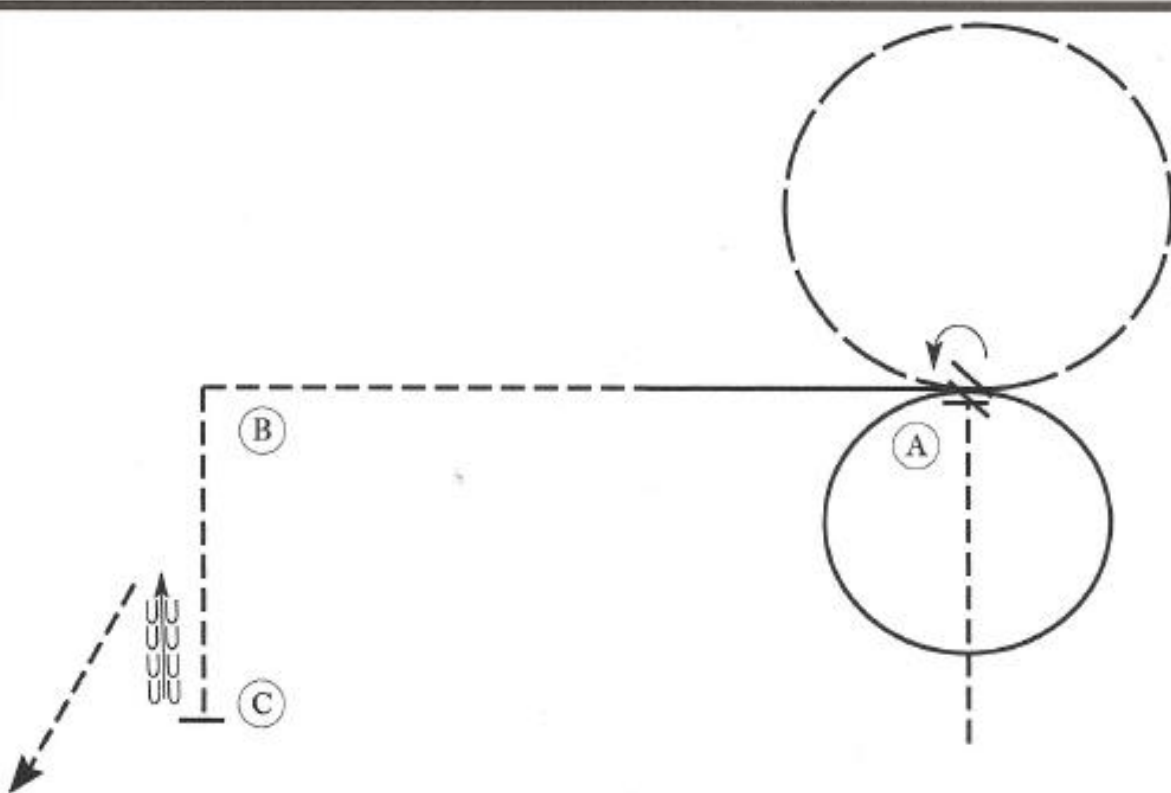
Follow the instructions of your ring steward.

Walk	-----
Trot	- - - - -
Extended Trot	-----
Canter	-----
Leg Yield	
Lead Change	↙ ↘
Back	←←←←←
Marker	Ⓚ
Sidepass	←---→
Hand Gallop	-----

VPHC Color Classic Futurity (Aug 28-30)
Equitation
 (All Amateur / Youth 18&Under)

www.HorseShowPatterns.com

www.HorseShowPatterns.com



1. Trot on the left diagonal past A.
2. Stop and perform a 90 degree turn on the forehand to the left.
3. Hand gallop a circle to the right on the right lead.
4. Perform a simple lead change.
5. Canter a circle to the left on the left lead and continue toward B.
6. Halfway to B, break to a sitting trot.
7. As you approach B, drop your irons and continue to C.
8. Stop at C and pick up your irons.
9. Back one horse length and exit at a trot.

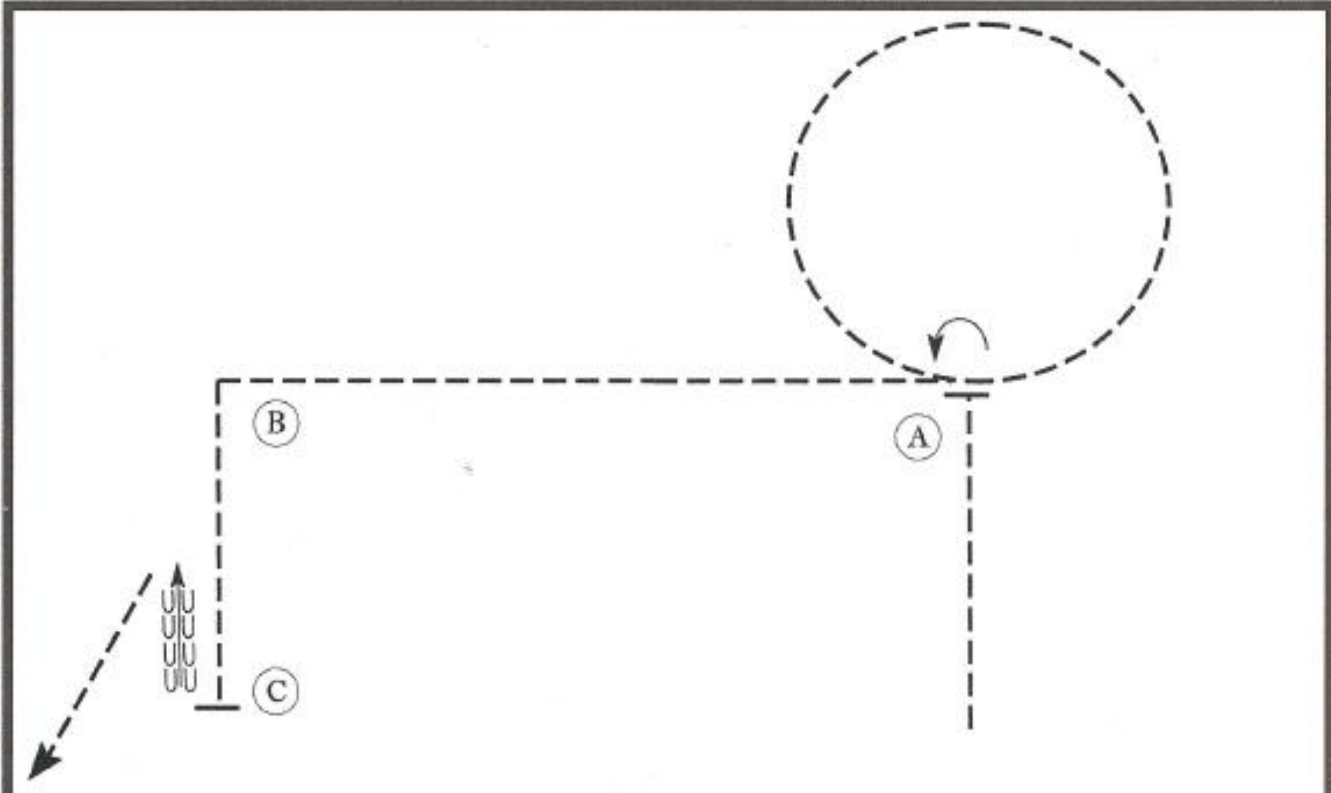
Follow the instructions of your ring steward.

Walk	-----
Trot	- - - - -
Extended Trot	-----
Canter	-----
Leg Yield	
Lead Change	↙ ↘
Back	← ← ← ← ←
Marker	⊙
Sidepass	← ← ← ← ←
Hand Gallop	-----

VPHC Color Classic Futurity (Aug 28-30)
Equitation
 (All Walk Trot)

www.HorseShowPatterns.com

www.HorseShowPatterns.com



1. Walk past A.
2. Stop and perform a 90 degree turn on the forehand to the left.
3. Trot a large circle to the right on the left diagonal.
4. Halfway to B, perform a sitting trot to B.
5. As you pass B, pick up the right diagonal and continue to C.
6. Stop at C and back one horse length and exit at a trot.

Follow the instructions of your ring steward.

Walk	-----
Trot	-----
Extended Trot	-----
Canter	-----
Leg Yield	
Lead Change	↙
Back	←←←
Marker	⊙ B
Sidepass	↔
Hand Gallop	-----

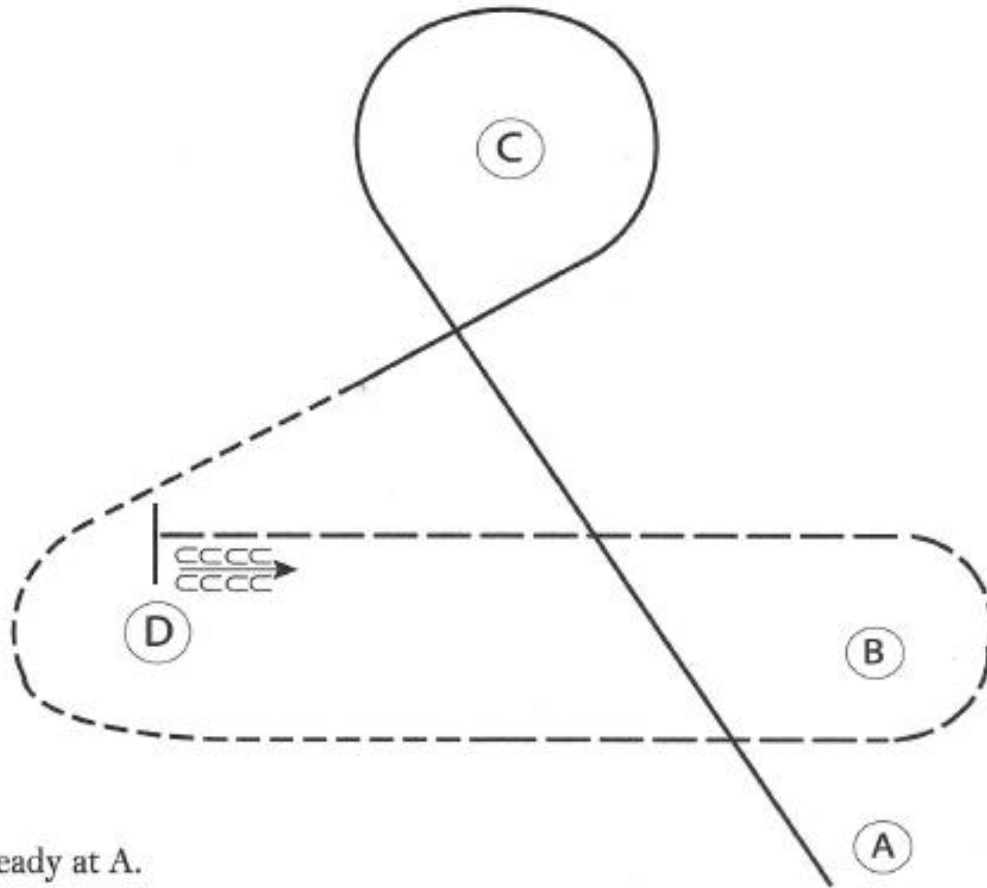
VPHC Color Classic Futurity (Aug 28-30)

Horsemanship

(All Novice/Novice Youth/13&Under &
Youth/AM SPB and All Breed Classes)

www.HorseShowPatterns.com

www.HorseShowPatterns.com



Be ready at A.

1. Right lead lope to and around C
2. Halfway to D break to the jog
3. Jog around D
4. Halfway to B extend the jog
5. Continue extended jog around B to D
6. At D stop and back approximately one horse length.

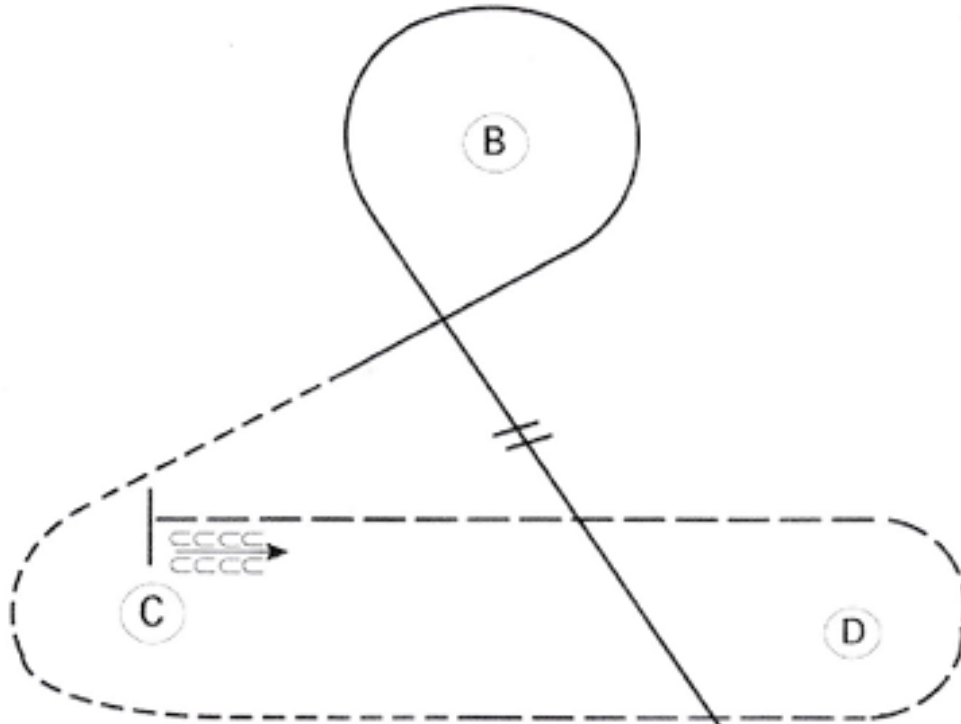
Follow the instructions of your ring steward.

Walk
Jog	-----
Extended Jog	- - - - -
Lope	—————
Leg Yield	
Lead Change	///
Back	←←←←←
Marker	ⓑ
Sidepass	←····→

VPHC Color Classic Futurity (Aug 28-30)
Horsemanship
 (All Amateur / Youth 18&Under)

www.HorseShowPatterns.com

www.HorseShowPatterns.com



Be ready at A.

1. Lope on the left lead.
2. Halfway between A and B, perform a *flying or simple* lead change.
3. Lope on the right lead around B and halfway to C.
4. Halfway to C, break to the jog and jog around C.
5. Halfway between C and D, extend the jog to and around D and to C.
6. Stop at C and back approximately one horse length.

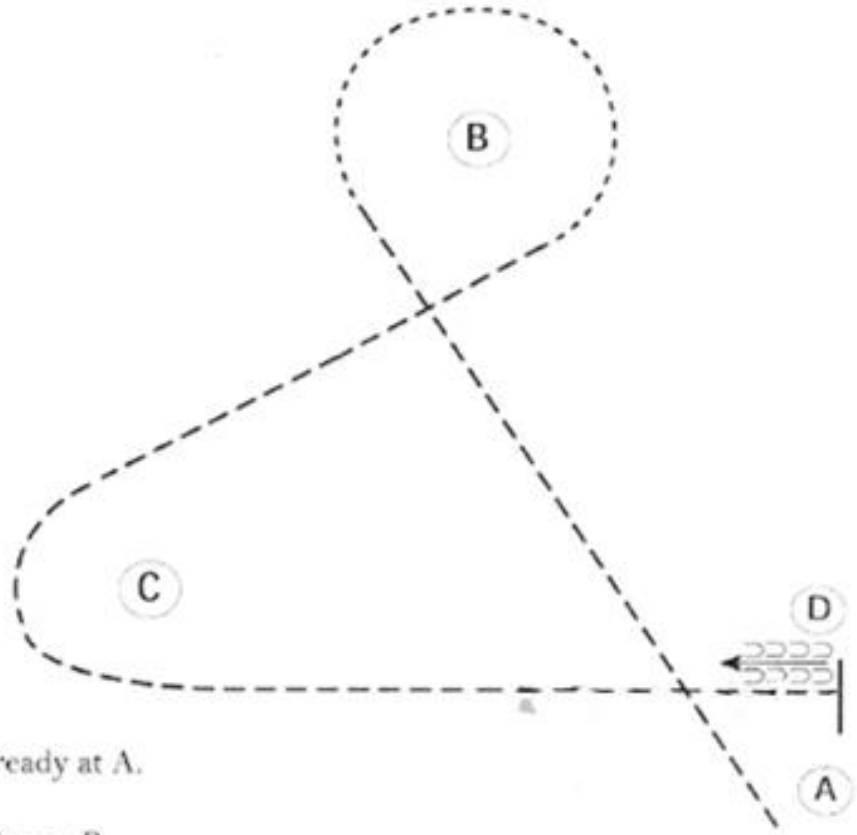


Follow the instructions of your ring steward.

VPHC Color Classic Futurity (Aug 28-30)
Horsemanship
 (All Walk Trot)

www.HorseShowPatterns.com

www.HorseShowPatterns.com



Be ready at A.

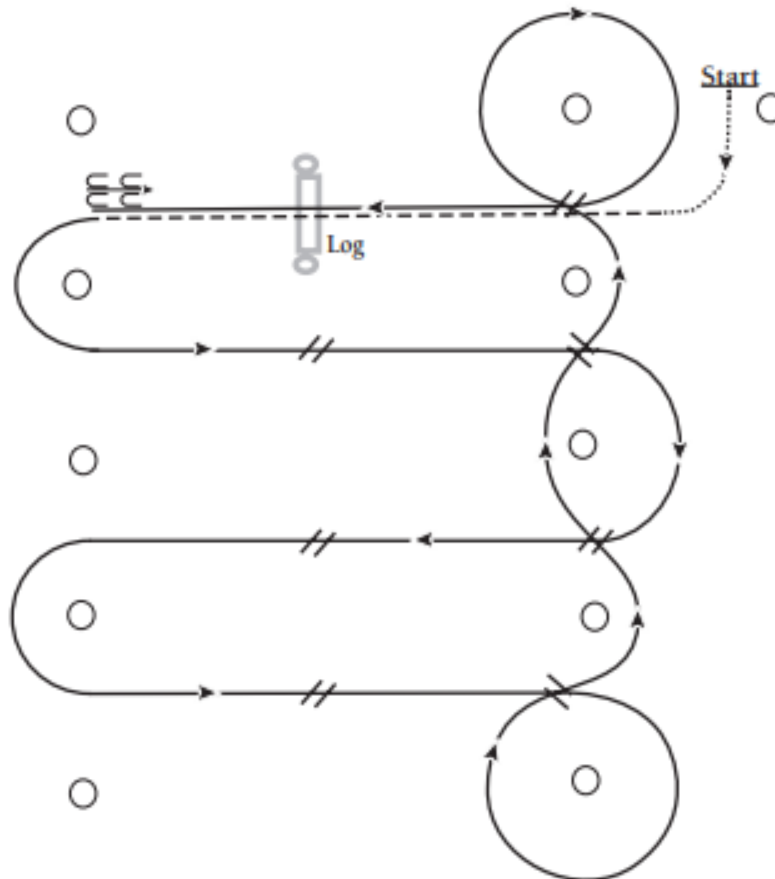
1. Jog to B.
2. At B, walk and walk around B.
3. Jog to and around C and to D.
4. Stop at D and back approximately one horse length.

Follow the instructions of your ring steward.

Walk
Jog	-----
Extended Jog	-----
Lope	—————
Leg Yield	
Lead Change	↘
Back	←←←←←
Marker	⊙ B
Sidepass	←←

VPHC Color Classic Futurity (Aug 28-30)
Western Riding
Pattern #2

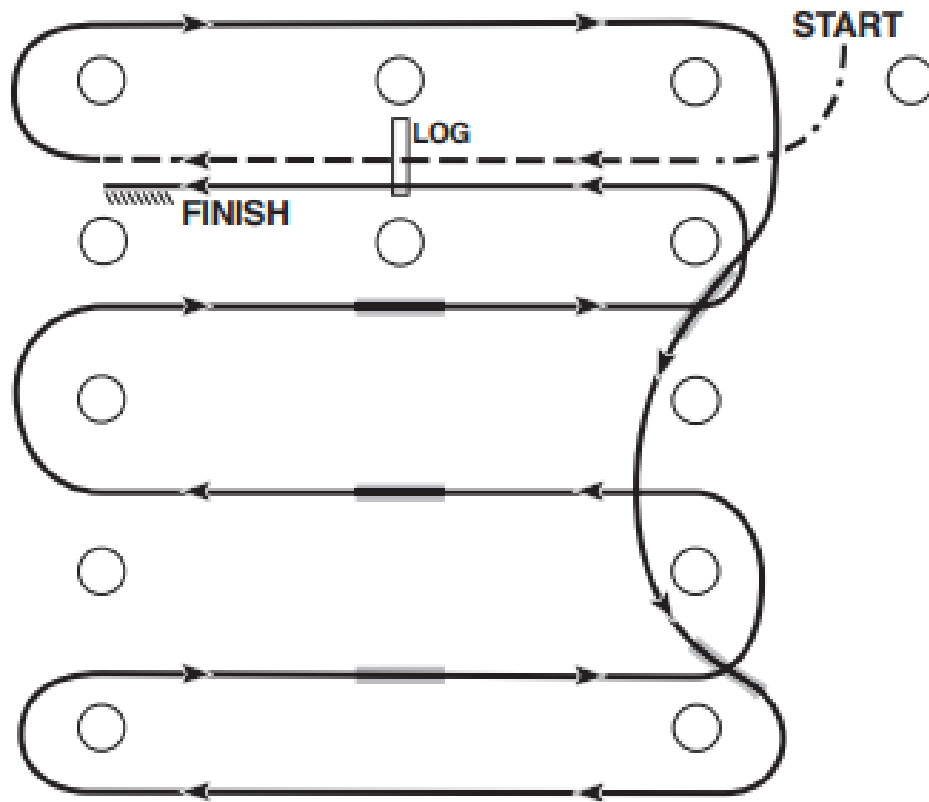
Western Riding Pattern #2



1. Walk, transition to jog, jog over log.
2. Transition to lope.
3. First crossing change.
4. Second crossing change.
5. Third crossing change.
6. Circle and first line change.
7. Second line change.
8. Third line change.
9. Fourth line change and circle.
10. Lope over log.
11. Lope, stop and back.

VPHC Color Classic Futurity (Aug 28-30)
Green Western Riding
Pattern #4

Green Western Riding Pattern #4



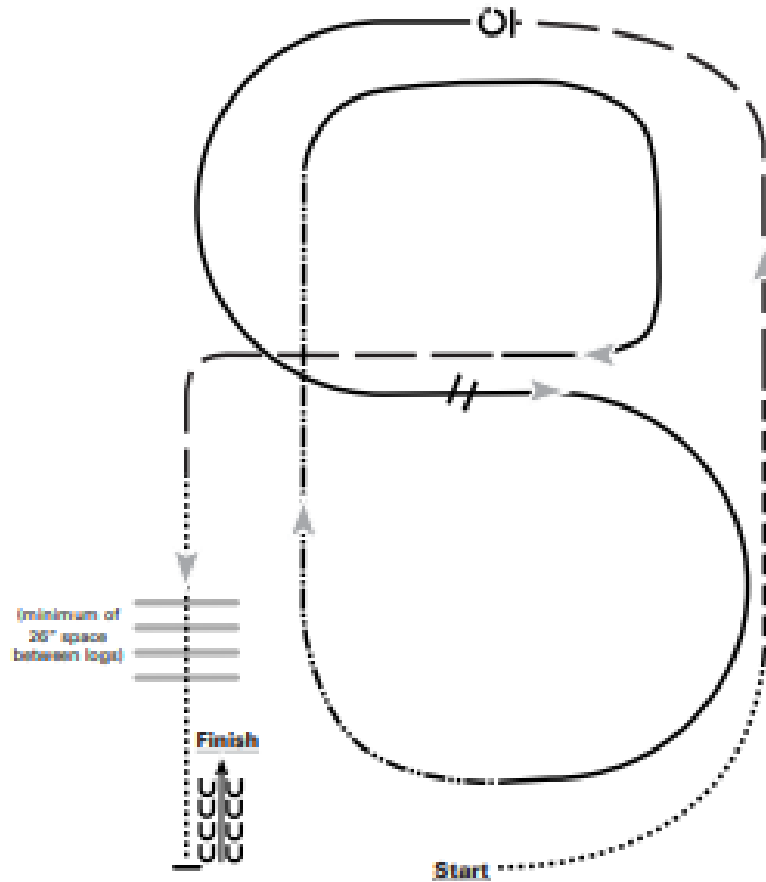
1. Walk, transition to log, jog over log.
2. Transition to right lead and lope around end.
3. First line change.
4. Second line change, lope around end of arena.
5. First crossing change.
6. Second crossing change.
7. Third crossing change.
8. Lope over log.
9. Lope, stop and back.

VPHC Color Classic Futurity (Aug 28-30)

Ranch Riding

Pattern #1

Ranch Riding Pattern #1



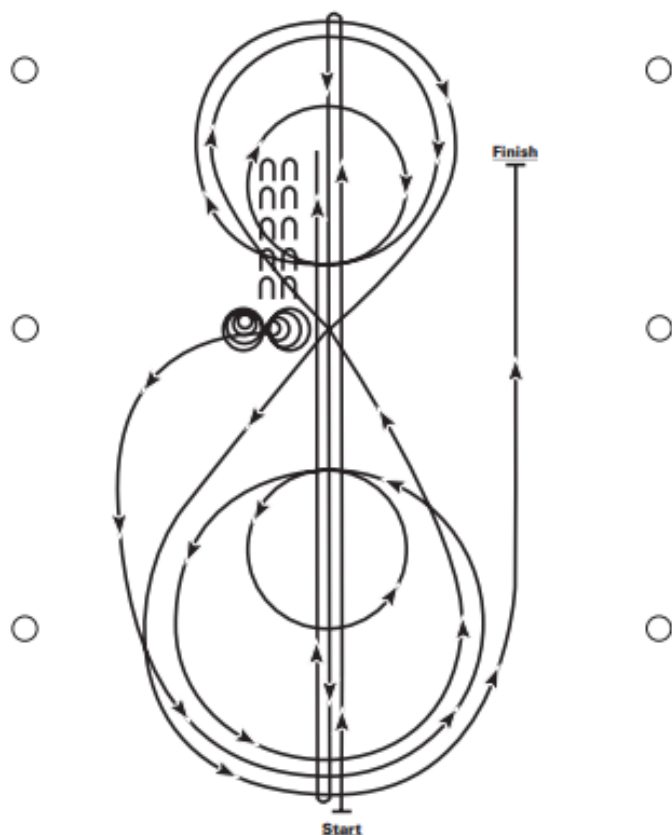
1. Walk
2. Trot
3. Extend the trot ,at the top of the arena, stop
4. 360 turn to the left
5. Left lead 1/2 circle, lope to the center
6. Change leads (simple or flying)
7. Right lead 1/2 circle
8. Extended lope up the long side of the arena (right lead)
9. Collect back to a lope around the top of the arena and back to center
10. Break down to an extended trot
11. Walk over poles
12. Stop and back

VPHC Color Classic Futurity (Aug 28-30)

Reining

Pattern #1

Reining Pattern #1



1. Run at speed to the far end of the arena past the end marker and do a left rollback – no hesitation.
2. Run to the opposite end of the arena past the end marker and do a right rollback – no hesitation.
3. Run past the center marker and do a sliding stop. Back up to center of the arena or at least ten feet (3m). Hesitate.
4. Complete four spins to the right. Hesitate.
5. Complete four and one-quarter spins to the left so that horse is facing left wall or fence. Hesitate.
6. Beginning on the left lead, complete three circles to the left; the first circle large and fast; the second circle small and slow; the third circle large and fast. Change leads at the center of the arena.
7. Complete three circles to the right; the first circle large and fast; the second circle small and slow; the third circle large and fast. Change leads at the center of the arena.
8. Begin a large circle to the left but do not close this circle. Run straight up the right side of the arena past the center marker and do a sliding stop at least twenty feet (6.09m) from wall or fence. Hesitate to demonstrate the completion of the pattern.

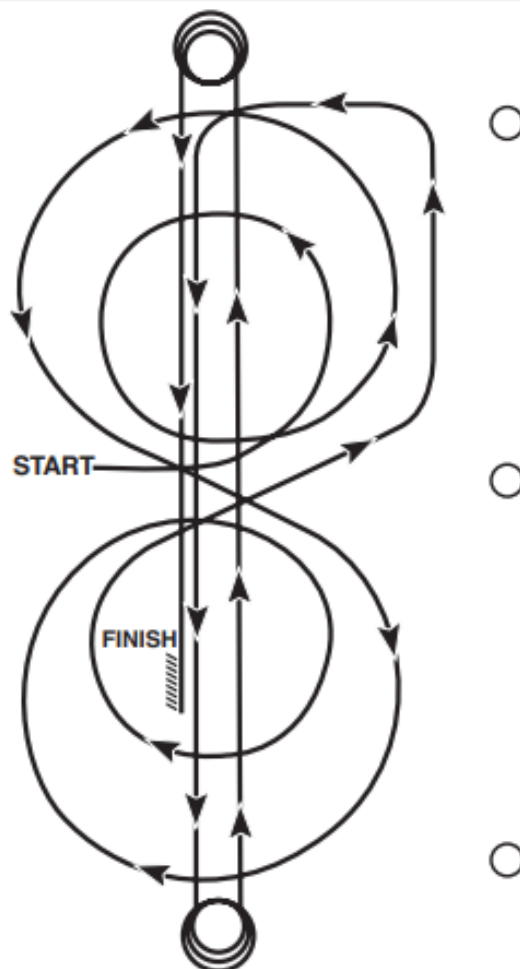
Rider may dismount and drop bridle to the designated judge.

VPHC Color Classic Futurity (Aug 28-30)

Ranch Reining

Pattern #10

Working Cow Horse Pattern #10



Trot to center of arena, stop. Start pattern facing away from judge.

1. Beginning on the left lead, complete 2 circles to the left. The first circle small and slow, the second circle large and fast. Change leads at the center of the arena.
2. Complete 2 circles to the right. The first circle large and fast, the second circle small and slow. Change leads at the center of the arena.
3. Continue around end of arena without breaking gait or changing leads, run down center of arena past end marker, and execute a square sliding stop.
4. Complete $3\frac{1}{2}$ spins to the left.
5. Run down center of arena past arena past end marker, and execute a square sliding stop.
6. Complete $3\frac{1}{2}$ spins to the right.
7. Run down center of arena past center marker, and execute a square sliding stop.
8. Back up at least 10 feet.
9. Hesitate to complete pattern.

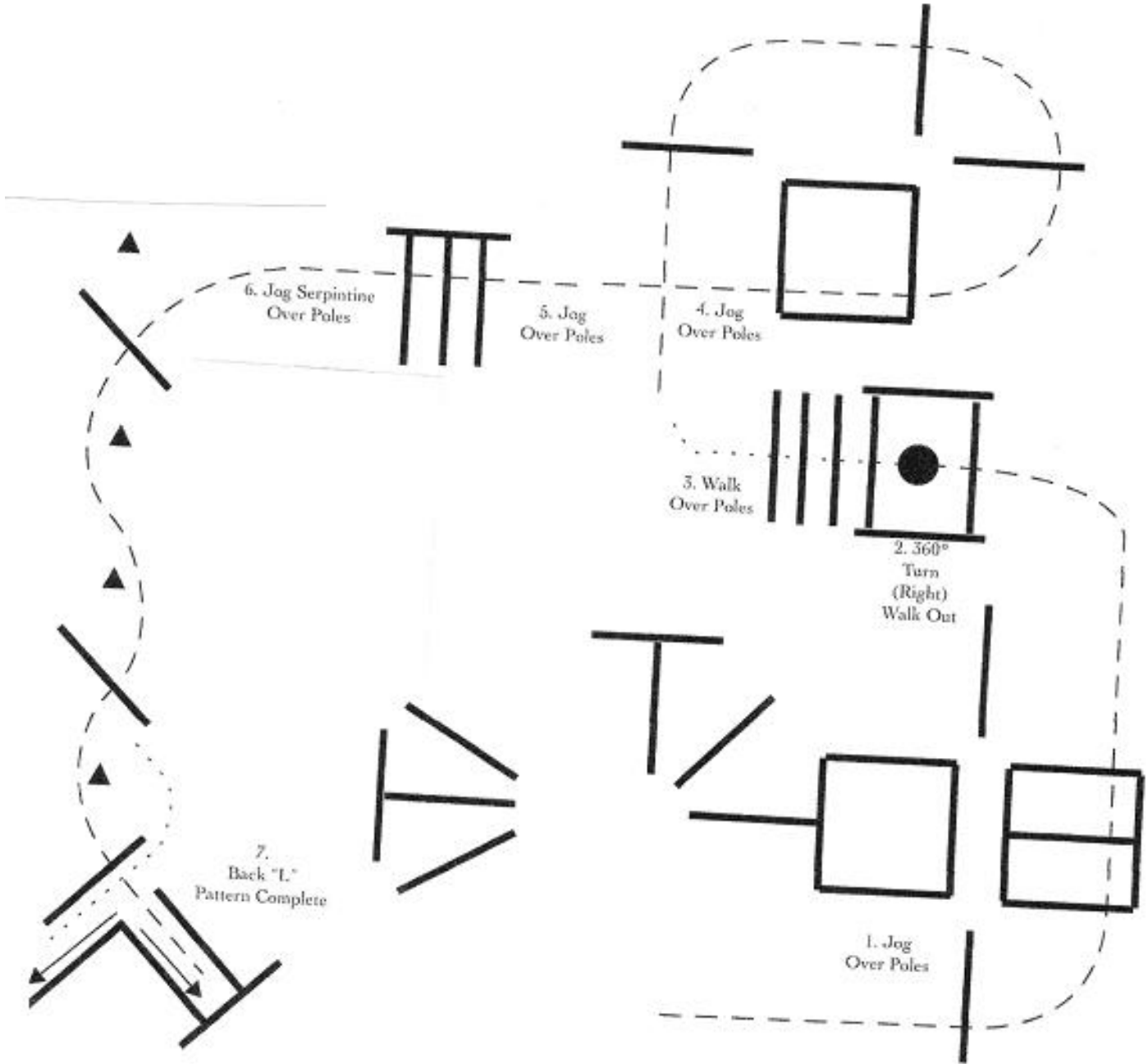
This pattern may be used as a lope-in pattern; see SC-265.B.

VPHC Color Classic Futurity (Aug 28-30)

Trail

All Yearling In Hand / All Walk Trot

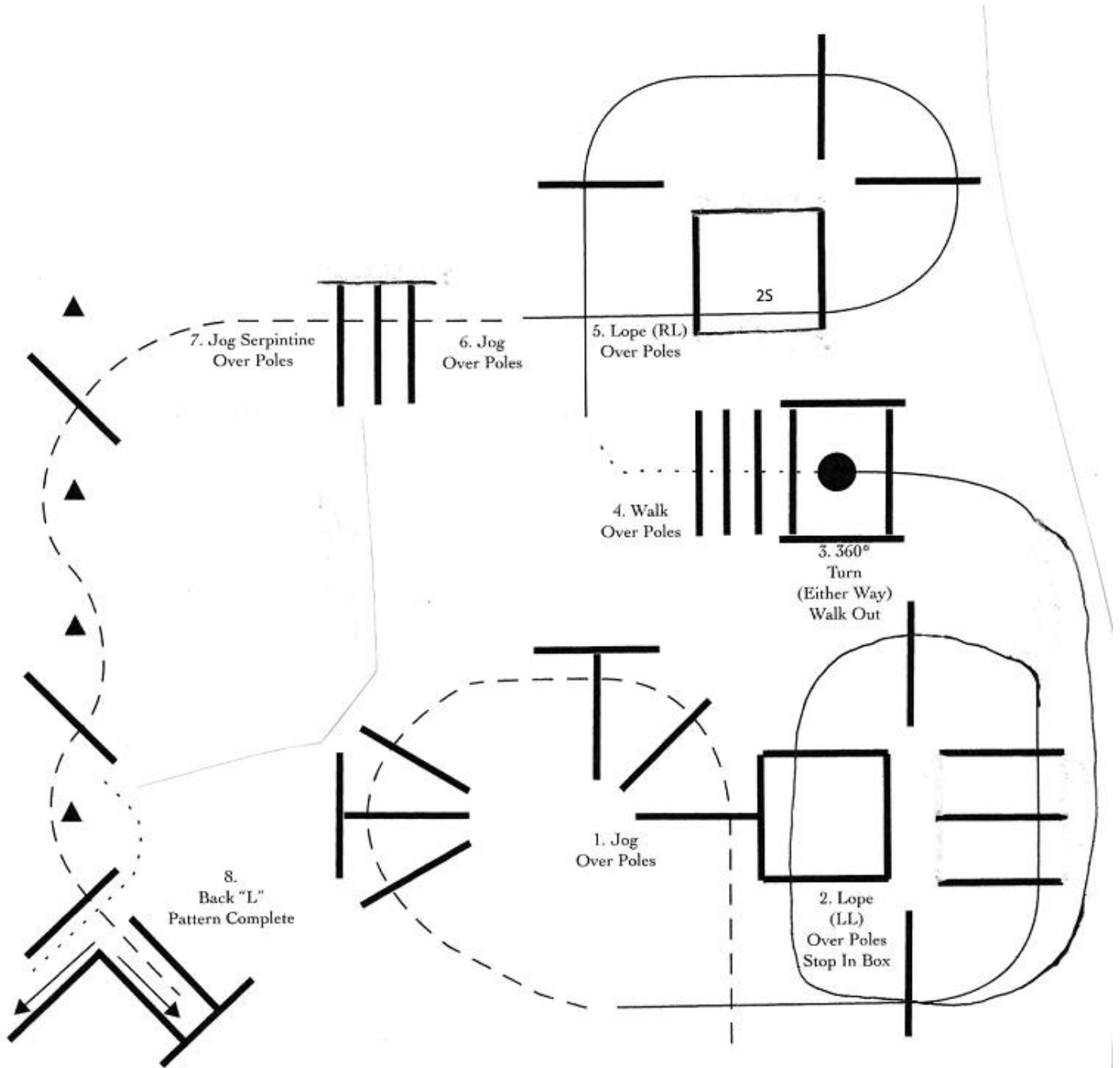
Color Classic/VA Bred Yearling In Hand / 2 Yr Old Trail Futurity Classes



VPHC Color Classic Futurity (Aug 28-30)

Trail

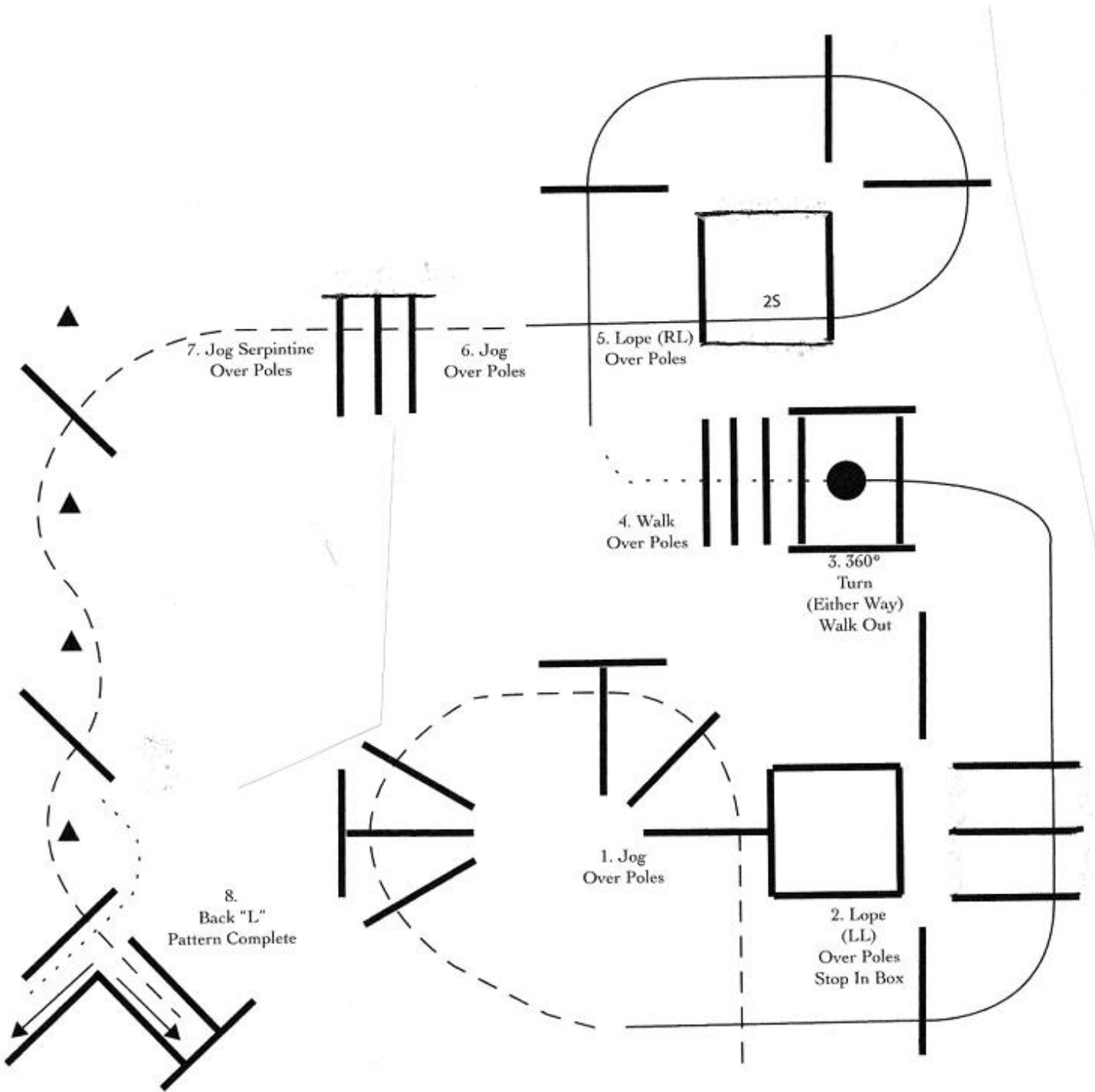
Sr Trail / All Amateur / **Amateur SPB** / Youth 18&Under
Color Classic / VA Bred All Age Trail Futurity Classes



VPHC Color Classic Futurity (Aug 28-30)

Trail

Green Trail / Jr Trail / Novice Am / Novice Youth / Youth13&Under
Youth SPB and All Breed Classes



VPHC Color Classic Futurity (Aug 28-30)

All Ranch Trail

